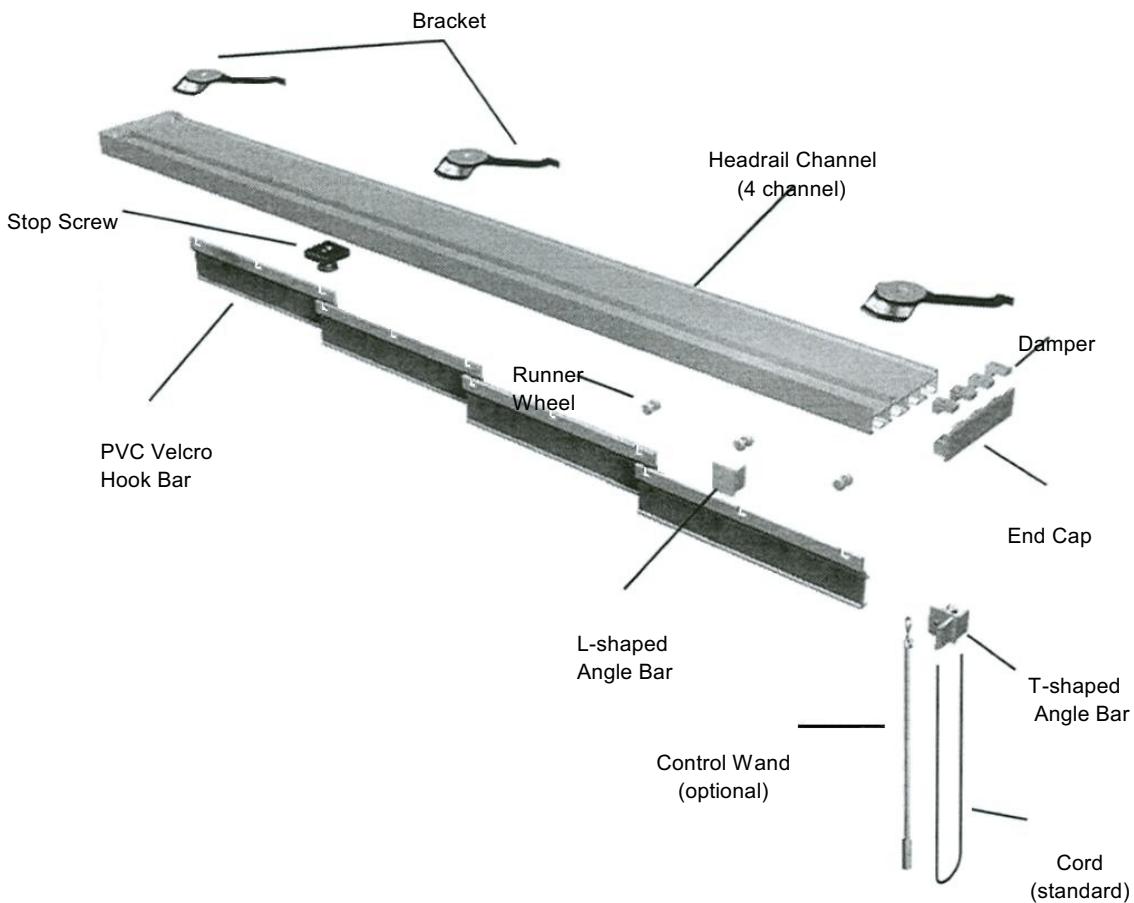




BBV Panel Track



1. Headrail 3, 4, & 5 Channel

Is extruded aluminum painted white. 3 track dimensions 49mm (1 15/16") x 16.5mm 5/8". 4 track dimensions 67mm (2 5/8") x 16.5mm (5/8"). 5 track dimensions 85mm (3 3/8") x 16.5mm (5/8").

2. End Cap

Made of white nylon. 67mm (2 5/8") x 17mm (1 1/16") x 10mm (3/8")

3. Damper

Made from white rubber. 11mm (7/16") x 6mm (1/4") x 7mm (5/16")

4. PVC Velcro Hook Bar

Made from white PVC with white velcro. Velcro is vulcanized directly onto the PVC to eliminate velcro peeling away from the PVC. 37mm (1 1/2") x 10mm (3/8").

5. Runner Wheel

Made of white nylon. 10mm (3/8") x 8mm (5/16").

6. T-shaped Angle Bar

Made from white PVC. 11mm (7/16") x 6mm (1/4") x 7mm (5/16").

7. L-shaped Angle Bar

Made of white PVC. 12mm (1/2") x 15mm (9/16") x 18mm (1 1/16").

8. Stop Screw

Made from steel. 10mm (3/8") x 10mm (3/8") x 10mm (3/8").

9. Bracket

Made from steel, white in colour. 65mm (2 9/16") x 50mm (1 15/16") x 6mm (1/4").

10. Cord

Made from white nylon. 2.8mm (1/8") diameter. An optional wand system is available which is attached directly to the PVC velcro hook bar.

