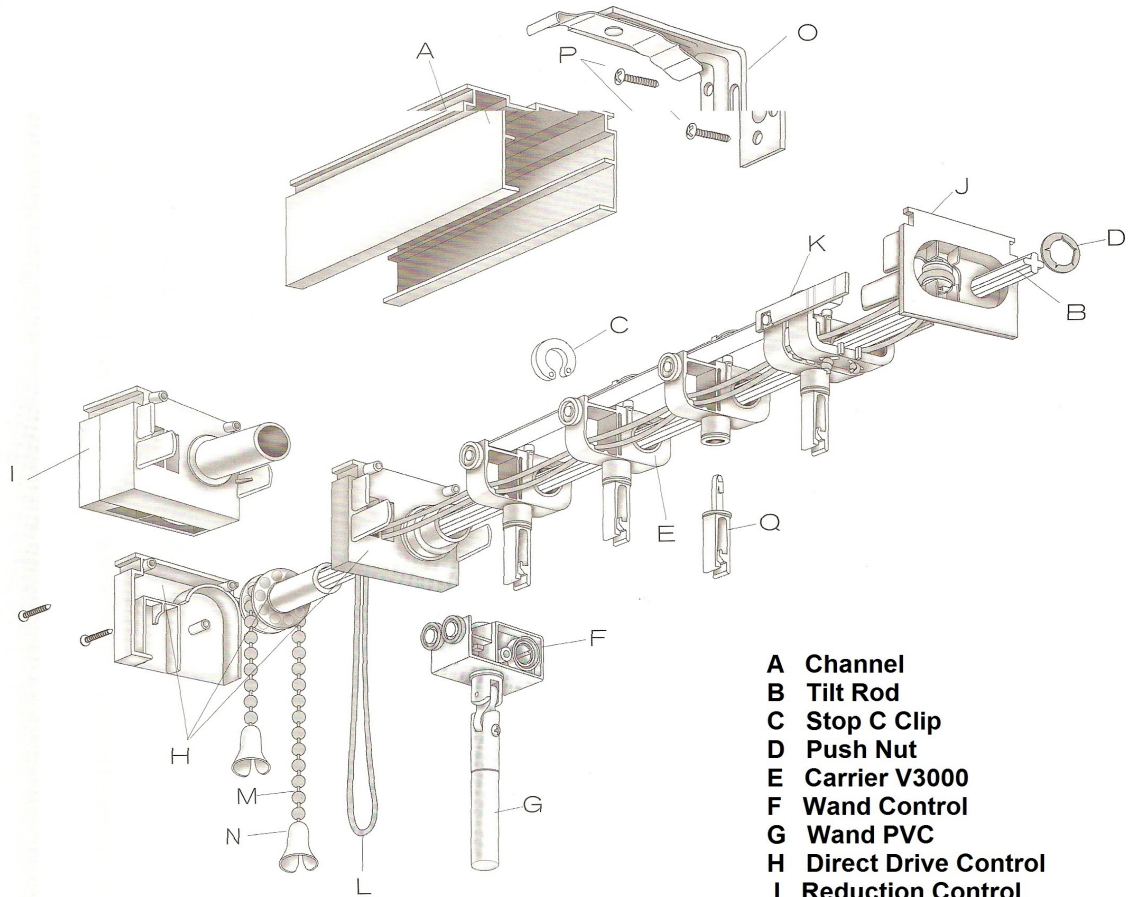




V3000

LASERLITE™ HEADRAIL SYSTEMS VERTICAL COMPONENTS



- A Channel
- B Tilt Rod
- C Stop C Clip
- D Push Nut
- E Carrier V3000
- F Wand Control
- G Wand PVC
- H Direct Drive Control
- I Reduction Control
- J IdleEnd
- K Cord Drive Runner
- L Cord
- M #10 Chain
- N Chain Tassel
- O Wall Bracket
- P Installation Screws
- Q Replacement Carrier Clip