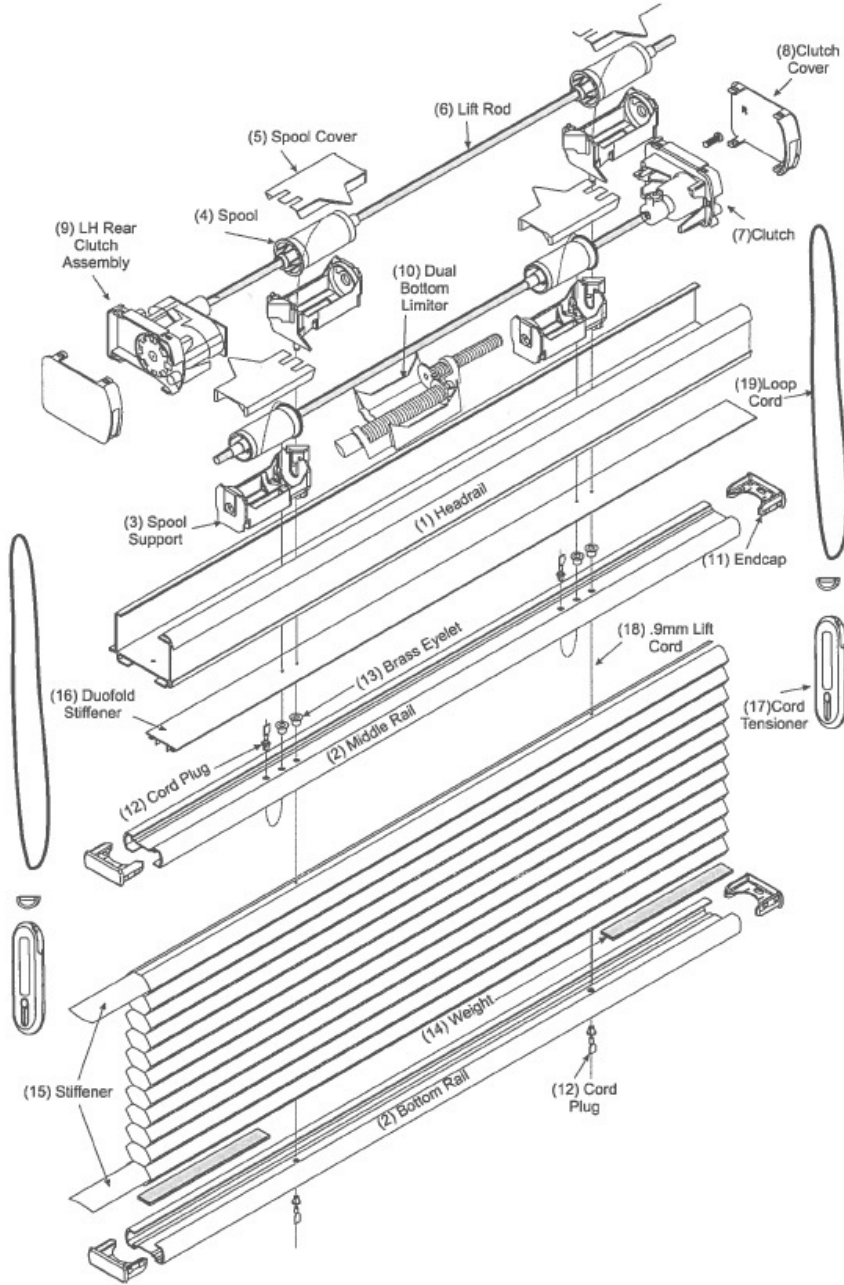




Cellular Shade

CONTINUOUS CORDLOOP TOP DOWN/BOTTOM UP



Fabrics

Polyester; woven and dyed to meet various decor, opacity, and reflective requirements. Where heat control is a consideration, fabrics with a reflective coating are available.